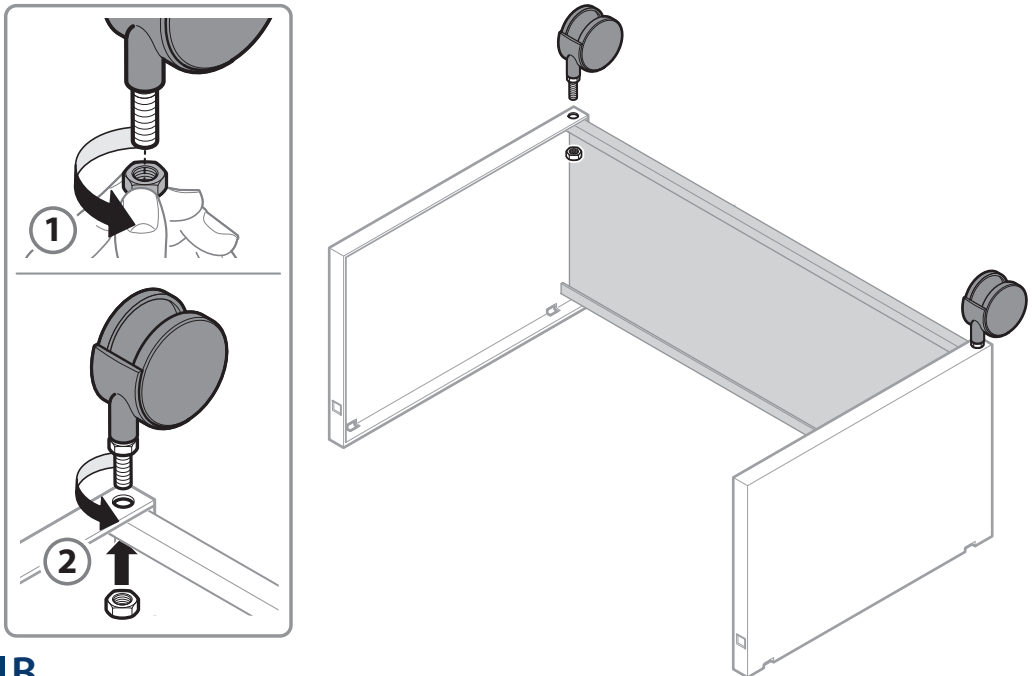
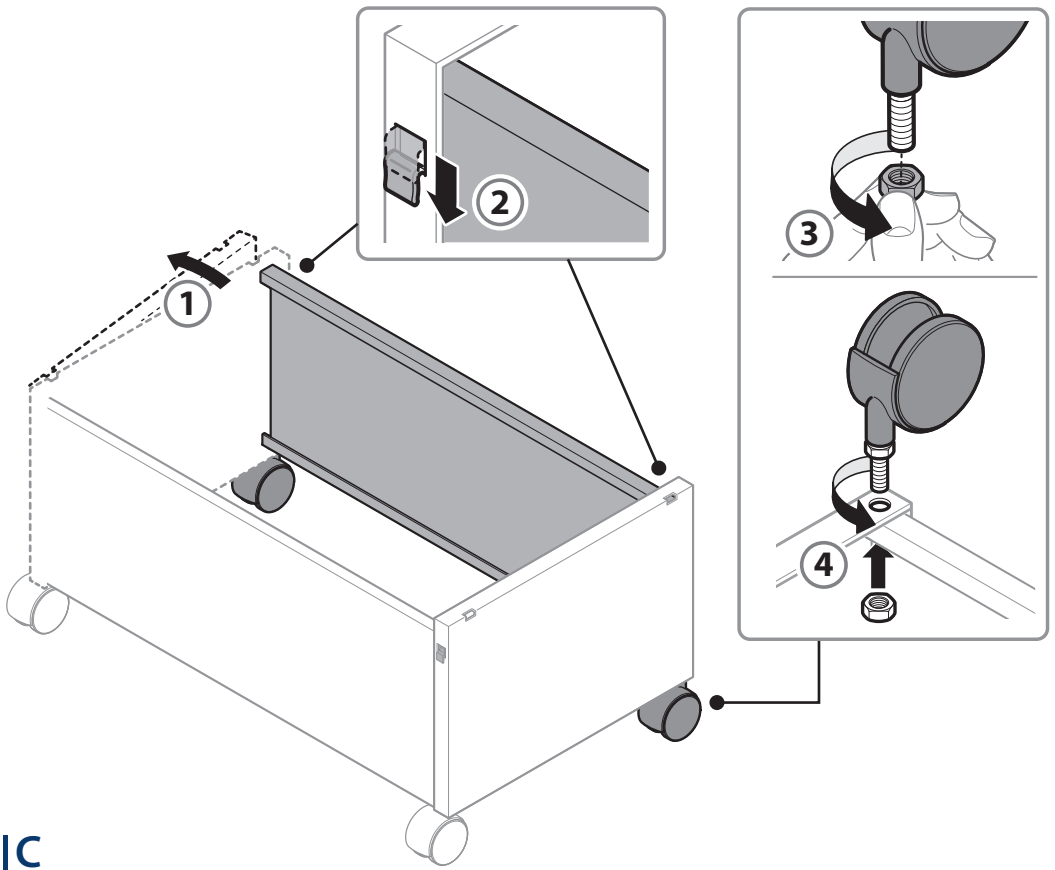


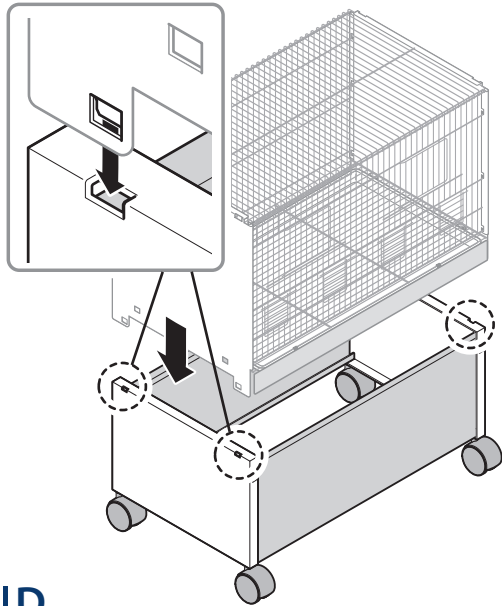
A



B



C



D

ART.
91-90



ART.
93-94

